

OrderDog Mobile

Accessory Guide



Soft Belt Holster



**Snap-on Trigger
w/ Wrist Lanyard**

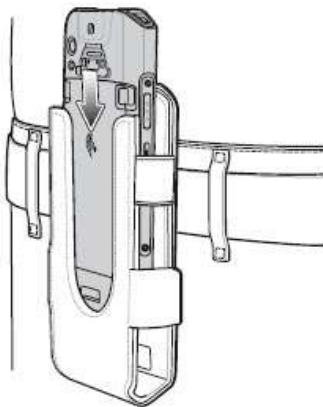


**Hand Strap
(Handheld Operating)**

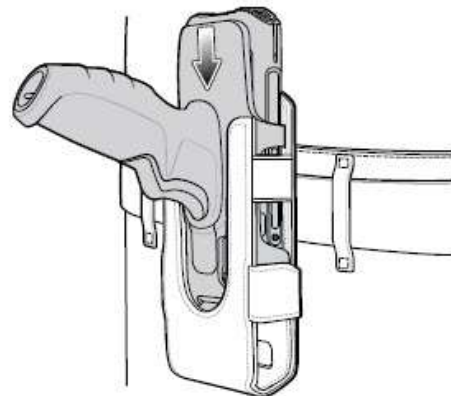
Soft Holster:

Use the soft holster to securely hold the device on a belt for easy access. The holster has adjustable belt for securing the device or trigger handle.

- Insert the device into the holster with the device exit window facing up and the display against the body.



- Insert the Trigger Handle into the holster with the device exit window facing down.

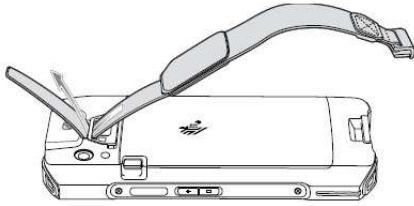


Hand Strap:

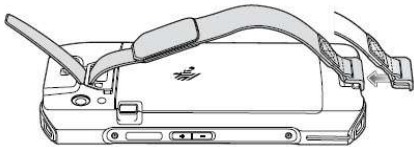
(Handheld Operating)

The hand strap provides securing when holding the device.

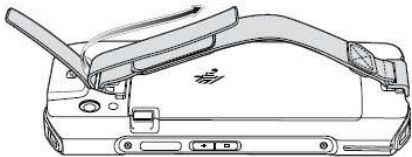
1. Feed the top end of the hand strap through the slot at the top of the device.



2. Pull the end through the slot.
3. Insert the other end of the hand strap into the hand strap slot on the bottom of the device.



4. Pull the hand strap until the clip snaps into the slot.
5. Place hand between device and hand strap then adjust hand strap as necessary.



Replacing the Battery:

1. Press the Power button until the menu appears.
2. Touch Power Off.
3. Wait for the device to completely turn off.



4. If the hand strap is attached, slide the hand strap clip away from the bottom of the device, then lift.

5. Press the two battery latches in.



Snap-on Trigger:

(w/ Wrist Lanyard)

The Trigger Handle adds a gun-style handle with a scanning trigger to the device. It increases comfort when using the device in scan-intensive applications for extended periods of time.

Inserting the Device into the Trigger Handle

1. Align and insert the top of the device into the front of the Trigger Handle.



2. Rotate the device down and press down until it snaps into place.



Removing the Device from the Trigger Handle

1. Press Trigger Handle release latches.



2. Rotate the bottom of the device up.

