



Integrated Scanner Scale Combo

Quick Setup Guide



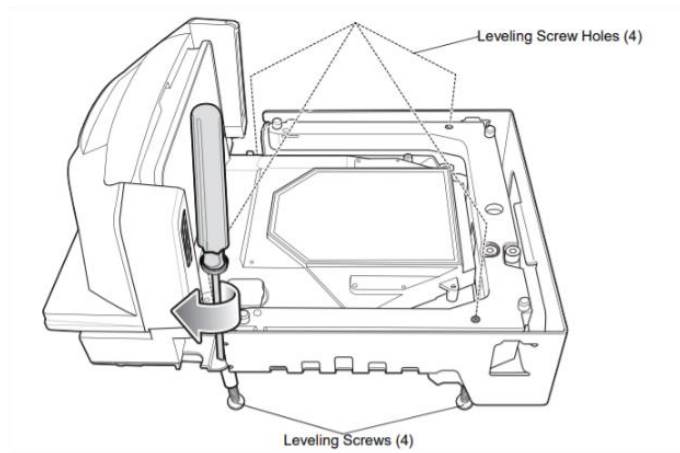
What Included:

Integrated Scanner Scale Combo Package

- Zebra MP7001 Scanner Scale
- Power+ USB Cable
- Zebra Scanner Scale Display Pole

Step 1 – Unboxing and Balancing the Scanner Scale

1. Open the Box and remove all the contents. Place the Scanner Scale base on a stable surface near where you will be installing it. Using the level-adjusters located on the bottom of the scanner scale, perform any necessary adjustments to make sure the scanner scale is leveled.



Step 2 – Plug in Cords on Scanner Scale End

1. Open the Display Pole Box. Plug into the leftmost port on the right side of the scanner scale.
- 2.

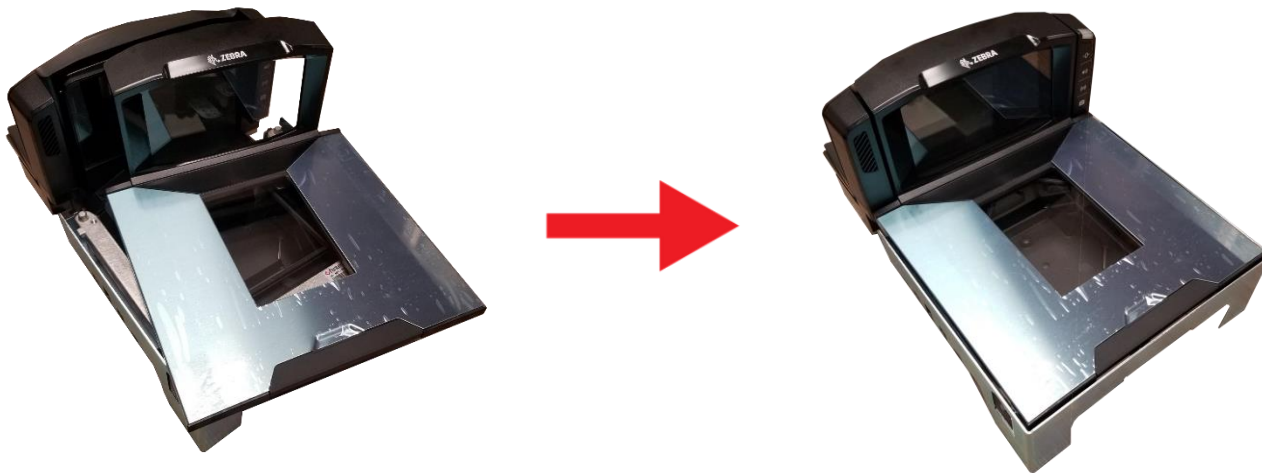


3. Grab the Power+ USB cable and plug into the rightmost port on right side of the scanner scale.



Step 3 – Scanner Scale Installation

1. Make sure the place of installation for your scanner scale is a stable area with secure placement and won't disrupt the weighing accuracy of the scale. (i.e. if it was too close to a conveyor on a checkout line, the conveyor may vibrate and displace the scale some and make its measurements inaccurate.)
2. Place your scanner scale in the desired location and complete all necessary procedures to install it. Place the plate on top of the scanner scale base when finished.



3. Run the cables so they can reach the Point of Sale easily.
4. Finish by using the bolt down instructions from the Display Pole box to set your display pole.

Step 5 – Connect to Point of Sale & Power On

1. Gently place the Point of Sale face down and plug the Power+ USB end of the power cable into the expansion pack located on the bottom of the flip stand.



2. Place Point of Sale back upright and power on the Scanner Scale. The result should look like this:



We are here to help! Any questions, please call us at 1-866-673-3736 opt 2 or email us at support@OrderDog.com